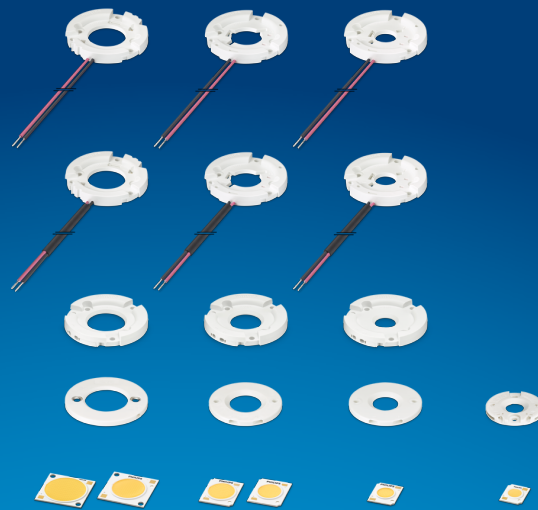


PHILIPS

Fortimo

LED

SLM holders Gen1



Datasheet

Experience bright and vivid colors

Fortimo SLM H G1

Fortimo SLM Holders are available in all sizes that fit our extensive product range. We offer chip on board holders with flying leads - with and without sleeve - in lengths that suit your needs.

If you use your own wiring you can choose from our poke in holders including holders with Zhaga dimensions.

June 2020

Ordering data

Commercial product name	EOC	12NC	Box quantity
Fortimo SLM H PI 1215 35 G1	6947939 132720 00	9290 015 38106	20
Fortimo SLM H 1619 G1	8718696 522059 00	9290 009 93580	20
Fortimo SLM H 1619 L280 G1	8719514 257207 00	9290 021 97506	20
Fortimo SLM H DL 1619 G1	8718696 522080 00	9290 009 93680	20
Fortimo SLM H DL 1619 L280 G1	8719514 257221 00	9290 021 97606	20
Fortimo SLM H PI 1619 G1	8718696 522110 00	9290 009 93780	20
Fortimo SLM H ZP 1619 G1	6947939 127245 00	9290 014 51980	20
Fortimo SLM H 2024 G1	8718696 506745 00	9290 009 80703	20
Fortimo SLM H 2024 L280 G1	8719514 257245 00	9290 021 97706	20
Fortimo SLM H DL 2024 G1	8718696 506776 00	9290 009 80803	20
Fortimo SLM H DL 2024 L280 G1	8719514 257429 00	9290 021 97806	20
Fortimo SLM H PI 2024 G1	8718696 507001 00	9290 009 80903	20
Fortimo SLM H ZP 2024 G1	6947939 127269 00	9290 014 52080	20
Fortimo SLM H 2828 G1	8718696 506806 00	9290 009 81003	20
Fortimo SLM H 2828 L280 G1	8719514 257306 00	9290 021 98106	20
Fortimo SLM H DL 2828 G1	8718696 506837 00	9290 009 81103	20
Fortimo SLM H DL 2828 L280 G1	8719514 257443 00	9290 021 98206	20
Fortimo SLM H PI 2828 G1	8718696 507025 00	9290 009 81203	20
Fortimo SLM H ZP 2828 G1	6947939 127283 00	9290 014 52180	20
Fortimo SLM VO H 1414 G1	8719514 286924 00	9290 021 98506	35
Fortimo SLM VO H 1919 G1	8719514 286931 00	9290 021 98606	20

This product is available in the following options. It is possible to combine these with any of the CoBs in the portfolio.

Holder compatibility	CoB type							
	1202	1203	1204	1205	1206	1208	1211	1216
	L06	L09	L09	L13	L13	L15	L19	L23
Fortimo SLM H PI 1215 35 G1	•							
Fortimo SLM H 1619 G1		•	•					
Fortimo SLM H 1619 Lxxx G1		•	•					
Fortimo SLM H DL 1619 G1		•	•					
Fortimo SLM H DL 1619 Lxxx G1		•	•					
Fortimo SLM H PI 1619 G1		•	•					
Fortimo SLM H ZP 1619 G1		•	•					
Fortimo SLM H 2024 G1				•	•	•		
Fortimo SLM H 2024 Lxxx G1				•	•	•		
Fortimo SLM H DL 2024 G1				•	•	•		
Fortimo SLM H DL 2024 Lxxx G1				•	•	•		
Fortimo SLM H PI 2024 G1				•	•	•		
Fortimo SLM H ZP 2024 G1				•	•	•		
Fortimo SLM H 2828 G1							•	
Fortimo SLM H 2828 Lxxx G1							•	
Fortimo SLM H DL 2828 G1							•	
Fortimo SLM H DL 2828 Lxxx G1							•	
Fortimo SLM H PI 2828 G1							•	•
Fortimo SLM H ZP 2828 G1							•	

Holder compatibility	SLM VO type			
	1205	1206	1208	1211
	L14.5	L14.5	L14.5	L22
Fortimo SLM VO H 1919 G1	•	•	•	
Fortimo SLM H PI 2828 G1				•

Electrical characteristics

Parameter	Min	Typ	Max	Unit
Number of modules in series per chain			1	

SLM modules should not be connected in parallel so only one chain per driver is allowed.

Wiring

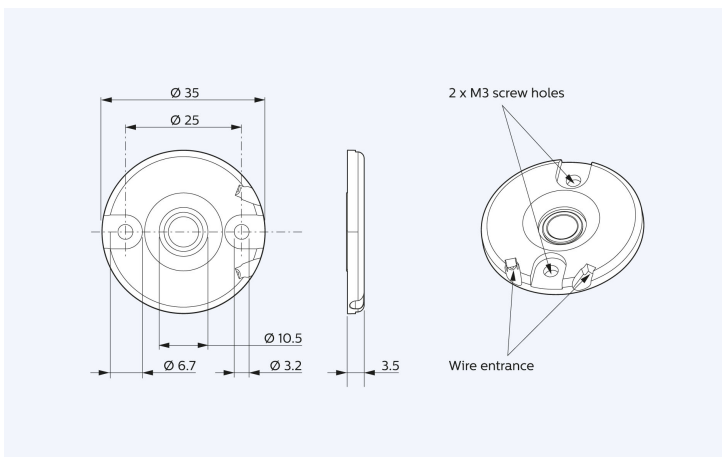
Specification item	Value	Unit	Condition
Input wire cross-section	0.5...0.75	mm ²	SLM H PI and SLM H VO, solid fused, stranded wire
	18...20	AWG	SLM H PI and SLM H VO, solid fused, stranded wire
Input wire strip length	11...12	mm	
Input wire cross-section	0.33...0.75	mm ²	SLM H ZP, solid wire
	18...22	AWG	SLM H ZP, solid wire
Input wire strip length	8...9	mm	

SLM H Holders have flying leads (AWG20, 0.5 mm², strip length 8-9.5 mm). SLM H Lxx holders have flying leads (AWG20, 0.5 mm², strip length 7-9 mm).

Mechanical characteristics

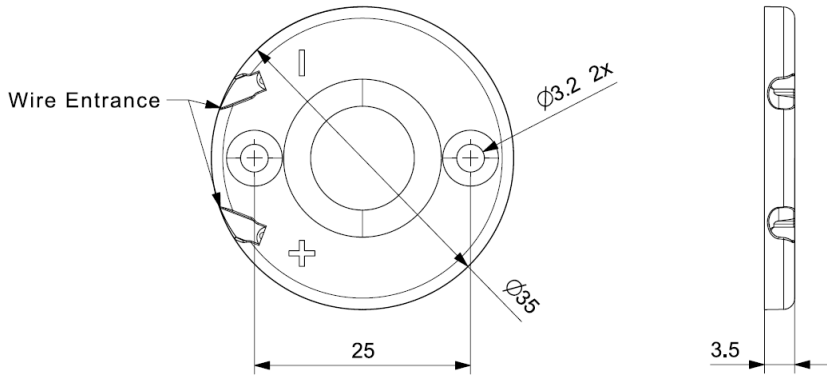
Fortimo SLM H PI 1215 35 G1

Parameter	Min	Typ	Max	Unit
Width		35		mm
Height		3.5		mm
Product mass		3		gram



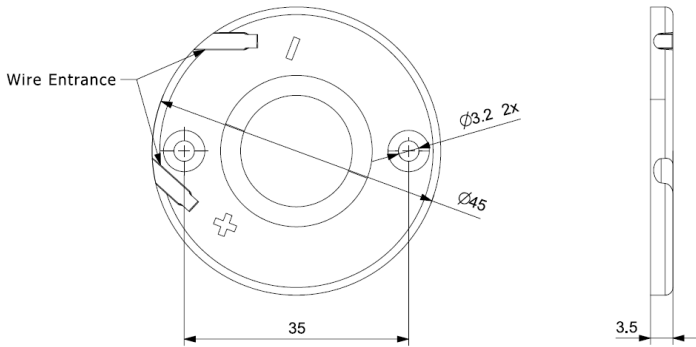
Fortimo SLM VO H 1414 G1

Parameter	Min	Typ	Max	Unit
Width		35		mm
Height		3.5		mm
Product mass		4		gram



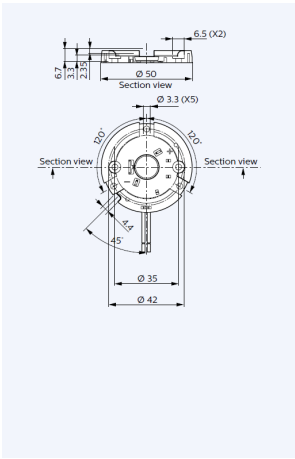
Fortimo SLM VO H 1919 G1

Parameter	Min	Typ	Max	Unit
Width		45		mm
Height		3.5		mm
Product mass		5		gram



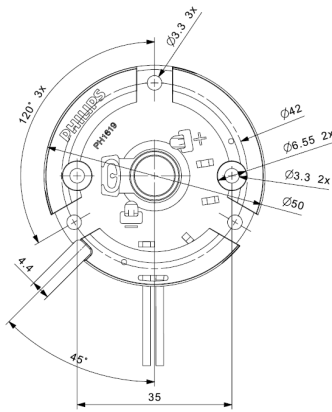
Fortimo SLM H 1619 G1
Fortimo SLM H DL 1619 G1

Parameter	Min	Typ	Max	Unit
Width		50		mm
Height		6.7		mm
Product mass		20		gram



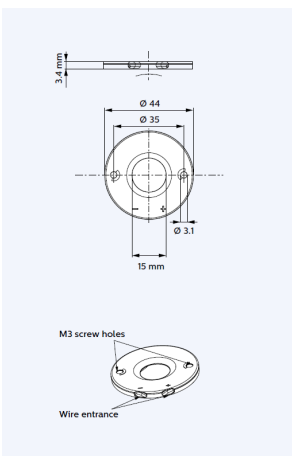
Fortimo SLM H 1619 L280 G1
Fortimo SLM H DL 1619 L280 G1

Parameter	Min	Typ	Max	Unit
Width		50		mm
Height		6.7		mm
Product mass		20		gram



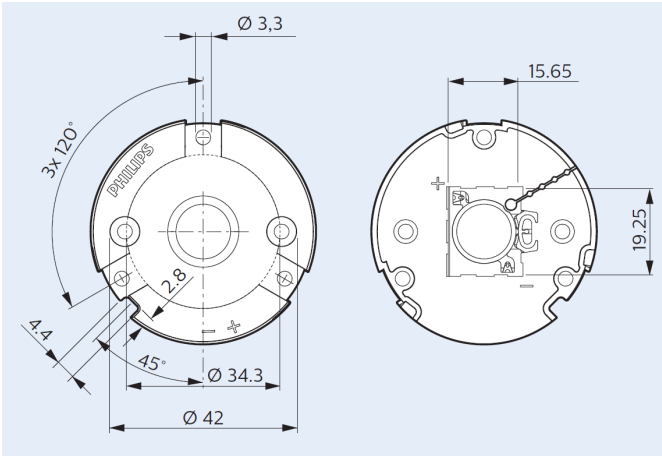
Fortimo SLM H PI 1619 G1

Parameter	Min	Typ	Max	Unit
Width		44		mm
Height		3.1		mm
Product mass		20		gram



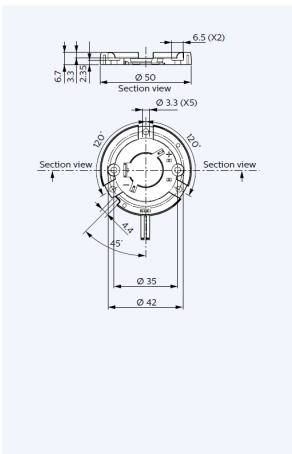
Fortimo SLM H ZP 1619 G1

Parameter	Min	Typ	Max	Unit
Width		50		mm
Height		6.7		mm
Product mass		20		gram



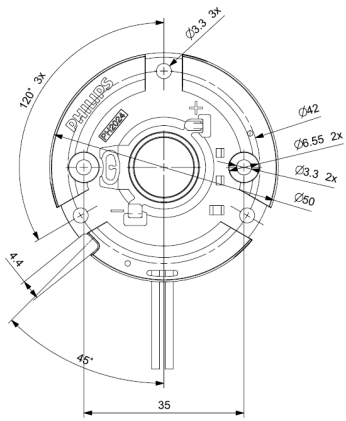
Fortimo SLM H 2024 G1
Fortimo SLM H DL 2024 G1

Parameter	Min	Typ	Max	Unit
Width		50		mm
Height		6.7		mm
Product mass		20		gram



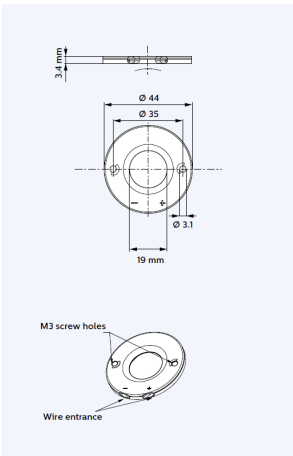
Fortimo SLM H 2024 L280 G1
Fortimo SLM H DL 2024 L280 G1

Parameter	Min	Typ	Max	Unit
Width		50		mm
Height		6.7		mm
Product mass		20		gram



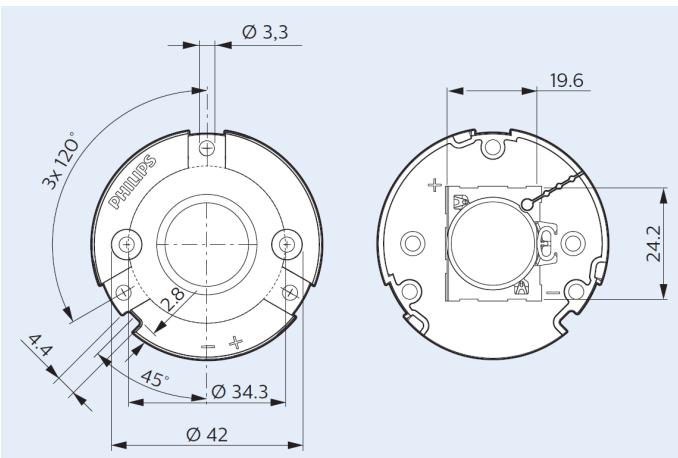
Fortimo SLM H PI 2024 G1

Parameter	Min	Typ	Max	Unit
Width		44		mm
Height		3.4		mm
Product mass		20		gram



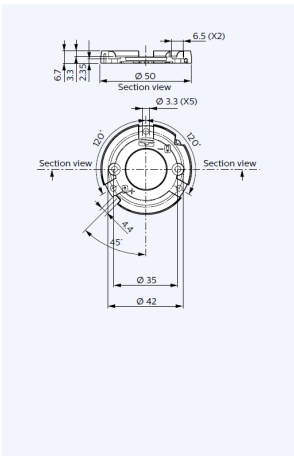
Fortimo SLM H ZP 2024 G1

Parameter	Min	Typ	Max	Unit
Width		50		mm
Height		6.7		mm
Product mass		20		gram



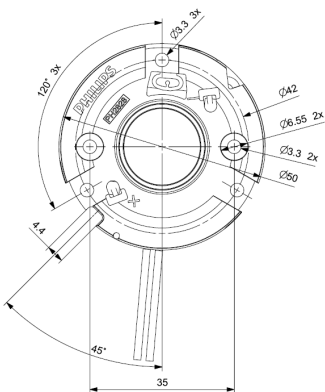
Fortimo SLM H 2828 G1
 Fortimo SLM H DL 2828 G1

Parameter	Min	Typ	Max	Unit
Width		50		mm
Height		6.7		mm
Product mass		20		gram



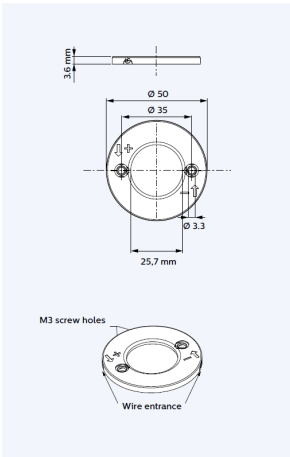
Fortimo SLM H 2828 L280 G1
 Fortimo SLM H DL 2828 L280 G1

Parameter	Min	Typ	Max	Unit
Width		50		mm
Height		6.7		mm
Product mass		20		gram



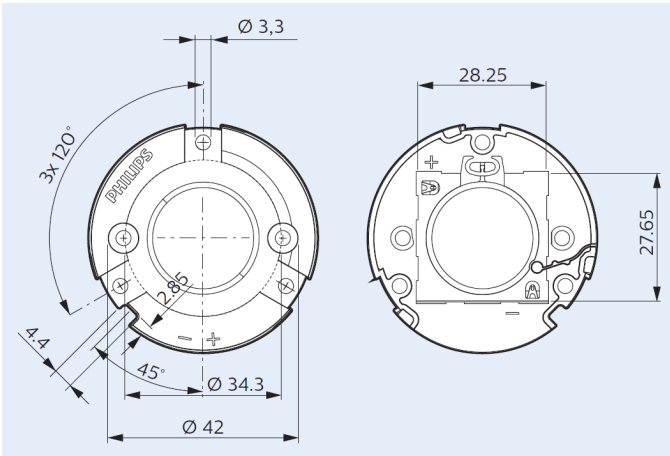
Fortimo SLM H PI 2828 G1

Parameter	Min	Typ	Max	Unit
Width		50		mm
Height		3.6		mm
Product mass		20		gram



Fortimo SLM H ZP 2828 G1

Parameter	Min	Typ	Max	Unit
Width		50		mm
Height		6.7		mm
Product mass		10		gram



Absolute ratings

Parameter	Min	Max	Unit
Working voltage		60	V _{dc}



© 2020 Signify Holding, IBRS 10461, 5600VB, NL. All rights reserved. The information provided herein is subject to change, without notice. Signify does not give any representation or warranty as to the accuracy or completeness of the information included herein and shall not be liable for any action in reliance thereon. The information presented in this document is not intended as any commercial offer and does not form part of any quotation or contract, unless otherwise agreed by Signify.

www.philips.com/oem

Philips and the Philips Shield Emblem are registered trademarks of Koninklijke Philips N.V. All other trademarks are owned by Signify Holding or their respective owners.

29/06/2020