



# Fortimo LED Strip system – the perfect mix of design freedom and high energy efficiency

## Fortimo LED strip system

In today's rapidly changing office market, demand is increasing for scalable, energy-efficient LED lighting solutions that enhance the workspace, supporting both staff well-being and corporate image. In this evolving environment, luminaire manufacturers want a component that offers fluorescent replacement solutions and that will allow them to create slender, seamless light-lines that do not compromise on the light quality their customers are used to. Fortimo LED Strip is a sleek linear LED array with a fixed form factor and consistent high-quality white light – making it possible to create new slimline designs that go beyond traditional fluorescent office applications. Supported with a state-of-the-art Xitanium driver, it is easy to design-in, enabling fast luminaire creation. And because this energy-efficient system is scalable and upgradable, it offers a truly future-proof solution.

### Benefits

- Design freedom for making new luminaire shapes
- High-quality white light (3.5 SDCM, CRI Ra 80)
- High energy efficiency, matching TL5 systems

**Features**

- 280 mm (1 foot) long, notched PCBA (module) concept
- 630 lm output

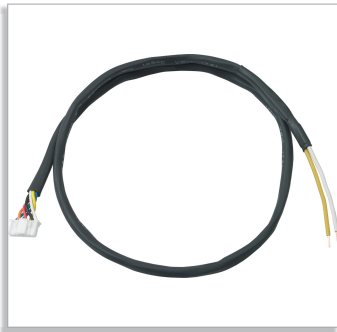
**Application**

- Cell offices and meeting rooms
- Open-plan offices

- System solution, with Xitanium 75 W driver in 360x22x30mm housing

- Reception areas and corridors

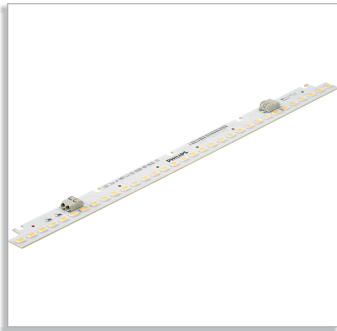
Related products



Fortimo LED Strip cable 60cm HV



Fortimo LED strip module



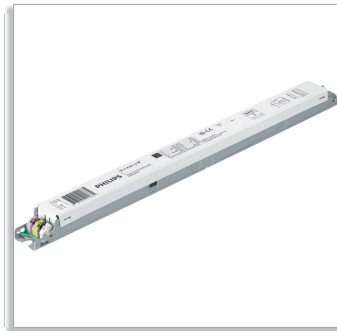
Fortimo LED Strip LV2



Fortimo LED Strip LV1

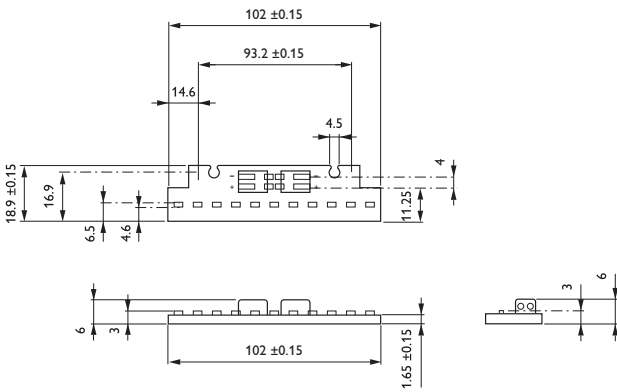


Xitanium linear office driver

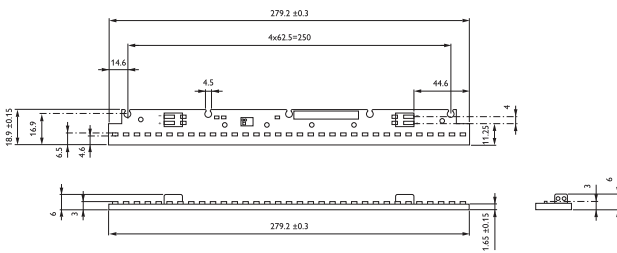


Xitanium linear office driver 75W 0.7-2A 54V

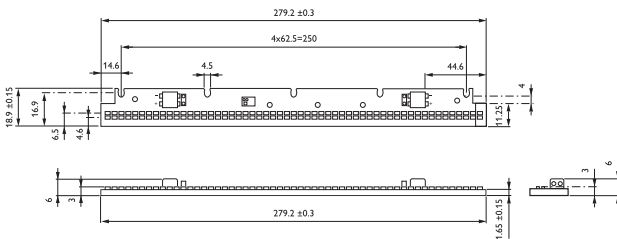
Dimensional drawing



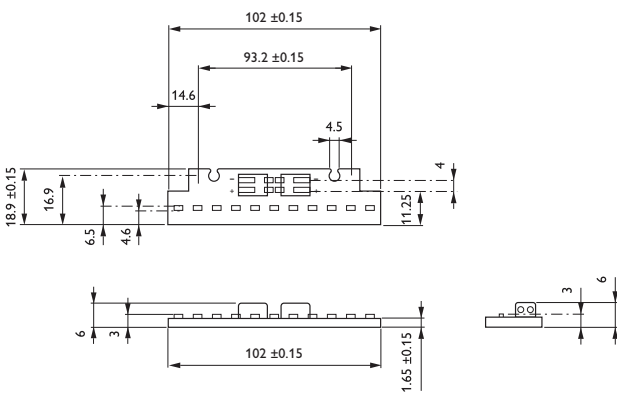
Fortimo LED Strip LV1



Fortimo LED Strip LV2

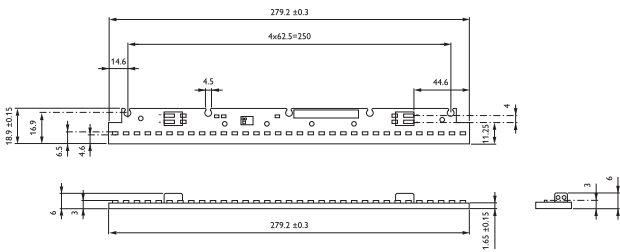


Fortimo LED Strip 1R

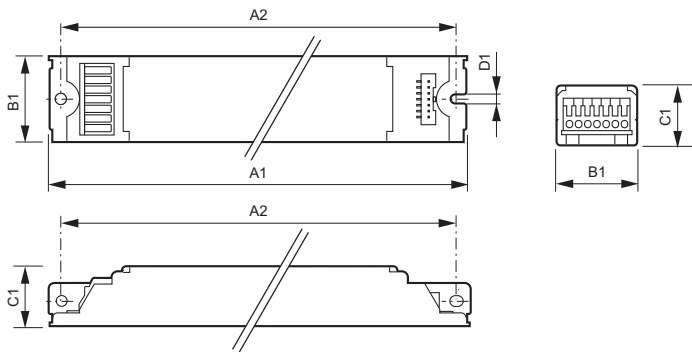


Fortimo LED Strip LV1

Dimensional drawing

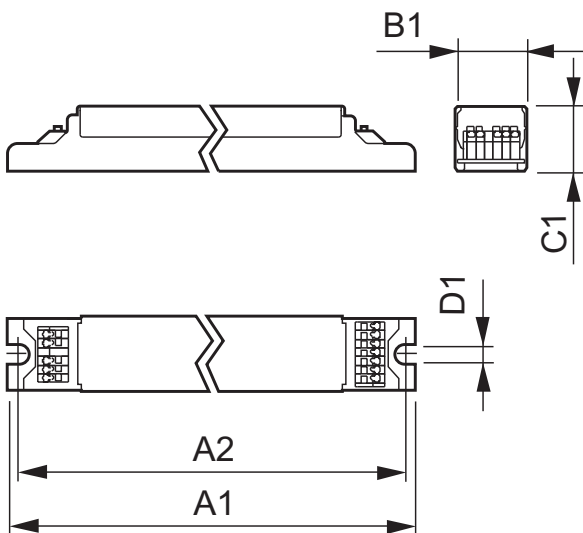


Fortimo LED Strip LV2



Xtitanium linear office driver

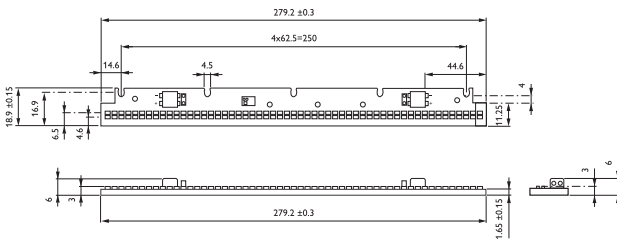
Product	A1 (Norm)	A2 (Norm)	A3 (Norm)	A4 (Norm)	B1 (Norm)	B2 (Norm)	C1 (Norm)	D1 (Norm)
Xtitanium 75W/0.2-0.4A 200V TD 230V	360	350	-	-	30.0	-	22	4.1
Xtitanium 75W/200mA 200V TD 230V	360	350	-	-	30.0	-	22.0	4.1
Xtitanium 75W/240mA 200V TD 230V	360	350	-	-	30.0	-	22.0	4.1
Xtitanium 75W/280mA 200V TD 230V	360	350	-	-	30.0	-	22.0	4.1
Xtitanium 75W/320mA 200V TD 230V	360	350	-	-	30.0	-	22.0	4.1
Xtitanium 75W/360mA 200V TD 230V	360	350	-	-	30.0	-	22.0	4.1
Xtitanium 75W/0.15-0.4A 200V TD 230V	360	350	-	-	30.0	-	22.0	4.1



Xtitanium 75W 0.7-2A 54V

Product	A1 (Norm)	A2 (Norm)	A3 (Norm)	A4 (Norm)	B1 (Norm)	B2 (Norm)	C1 (Norm)	D1 (Norm)
Xtitanium 75W 0.7-2A 54V TD 230V	424	415	-	-	30	-	26	7.9

Dimensional drawing



Fortimo LED Strip 1R

General Characteristics

Order code	Full product name	Operating Position	Switch cycles (per day)
929000637503	Fortimo LED Strip 11" 630lm 840 1R LV1	-	1-8 -
929000637603	Fortimo LED Strip 280mm 630lm 840 1R HV1	-	1-8 -
929000668503	Fortimo LED Strip 11" 630lm 830 1R LV1	-	1-8 -
929000668603	Fortimo LED Strip 11" 630lm 835 1R LV1	-	1-8 -
929000668703	Fortimo LED Strip 11" 630lm 865 1R LV1	-	1-8 -
929000668803	Fortimo LED Strip 280mm 630lm 830 1R HV1	-	1-8 -
929000668903	Fortimo LED Strip 280mm 630lm 835 1R HV1	-	1-8 -
929000669003	Fortimo LED Strip 280mm 630lm 865 1R HV1	-	1-8 -
929000819603	Fortimo LED Strip 1ft 650lm 830 LV2	-	1-8 -
929000819703	Fortimo LED Strip 1ft 650lm 840 LV2	-	1-8 -
929000830703	Fortimo LED Strip 1ft 650lm 865 LV2	-	1-8 -
929000816203	Fortimo LED Strip 102mm 375lm 830 LV1	-	1-8 -
929000816303	Fortimo LED Strip 102mm 375lm 840 LV1	-	1-8 -

Light Technical Characteristics

Order code	Full product name	Color Code	Luminous Flux	Color rendering index
929000637503	Fortimo LED Strip 11" 630lm 840 1R LV1	840	605 (min), 650 (nom), 695 (max) Lm	>80
929000637603	Fortimo LED Strip 280mm 630lm 840 1R HV1	840	605 (min), 650 (nom), 695 (max) Lm	>80
929000668503	Fortimo LED Strip 11" 630lm 830 1R LV1	830	555 (min), 600 (nom), 645 (max) Lm	>80
929000668603	Fortimo LED Strip 11" 630lm 835 1R LV1	835	575 (min), 620 (nom), 665 (max) Lm	>80
929000668703	Fortimo LED Strip 11" 630lm 865 1R LV1	865	685 (min), 630 (nom), 675 (max) Lm	>80
929000668803	Fortimo LED Strip 280mm 630lm 830 1R HV1	830	555 (min), 600 (nom), 645 (max) Lm	>80
929000668903	Fortimo LED Strip 280mm 630lm 835 1R HV1	835	575 (min), 620 (nom), 665 (max) Lm	>80

Order code	Full product name	Color Code	Luminous Flux	Color rendering index
929000669003	Fortimo LED Strip 280mm 630lm 865 1R HV1	865	685 (min), 630 (nom), 675 (max) Lm	>80
929000819603	Fortimo LED Strip 1ft 650lm 830 LV2	830	565 (min), 610 (nom), 690 (max) Lm	>80
929000819703	Fortimo LED Strip 1ft 650lm 840 LV2	840	600 (min), 650 (nom), 725 (max) Lm	>80
929000830703	Fortimo LED Strip 1ft 650lm 865 LV2	865	615 (min), 660 (nom), 740 (max) Lm	>80
929000816203	Fortimo LED Strip 102mm 375lm 830 LV1	830	310 (min), 340 (nom), 385 (max) Lm	>80
929000816303	Fortimo LED Strip 102mm 375lm 840 LV1	830	330 (min), 360 (nom), 405 (max) Lm	>80

Electrical Characteristics

Order code	Full product name	Dimmable
929000637503	Fortimo LED Strip 11" 630lm 840 1R LV1	Yes
929000637603	Fortimo LED Strip 280mm 630lm 840 1R HV1	Yes
929000668503	Fortimo LED Strip 11" 630lm 830 1R LV1	Yes
929000668603	Fortimo LED Strip 11" 630lm 835 1R LV1	Yes
929000668703	Fortimo LED Strip 11" 630lm 865 1R LV1	Yes
929000668803	Fortimo LED Strip 280mm 630lm 830 1R HV1	Yes
929000668903	Fortimo LED Strip 280mm 630lm 835 1R HV1	Yes
929000669003	Fortimo LED Strip 280mm 630lm 865 1R HV1	Yes
929000819603	Fortimo LED Strip 1ft 650lm 830 LV2	Yes
929000819703	Fortimo LED Strip 1ft 650lm 840 LV2	Yes
929000830703	Fortimo LED Strip 1ft 650lm 865 LV2	Yes
929000816203	Fortimo LED Strip 102mm 375lm 830 LV1	Yes
929000816303	Fortimo LED Strip 102mm 375lm 840 LV1	Yes
929000692103	Xitanium 75W 0.7-2A 54V TD 230V	Yes

Operating Characteristics

Order code	Full product name	Dimmable
929000637503	Fortimo LED Strip 11" 630lm 840 1R LV1	Yes
929000637603	Fortimo LED Strip 280mm 630lm 840 1R HV1	Yes
929000668503	Fortimo LED Strip 11" 630lm 830 1R LV1	Yes

Order code	Full product name	Dimmable
929000668603	Fortimo LED Strip 11" 630lm 835 1R LV1	Yes
929000668703	Fortimo LED Strip 11" 630lm 865 1R LV1	Yes
929000668803	Fortimo LED Strip 280mm 630lm 830 1R HV1	Yes
929000668903	Fortimo LED Strip 280mm 630lm 835 1R HV1	Yes
929000669003	Fortimo LED Strip 280mm 630lm 865 1R HV1	Yes
929000819603	Fortimo LED Strip 1ft 650lm 830 LV2	Yes

Order code	Full product name	Dimmable
929000819703	Fortimo LED Strip 1ft 650lm 840 LV2	Yes
929000830703	Fortimo LED Strip 1ft 650lm 865 LV2	Yes
929000816203	Fortimo LED Strip 102mm 375lm 830 LV1	Yes
929000816303	Fortimo LED Strip 102mm 375lm 840 LV1	Yes
929000692103	Xitanium 75W 0.7-2A 54V TD 230V	Yes

Wiring data



Temperature Characteristics

Order code	Full product name	T-case maximum	T-Storage	T-case lifetime
929000637503	Fortimo LED Strip 11" 630lm 840 1R LV1	55 (max) C	C	55 (max) C
929000637603	Fortimo LED Strip 280mm 630lm 840 1R HV1	55 (max) C	C	55 (max) C
929000668503	Fortimo LED Strip 11" 630lm 830 1R LV1	55 (max) C	C	55 (max) C
929000668603	Fortimo LED Strip 11" 630lm 835 1R LV1	55 (max) C	C	55 (max) C
929000668703	Fortimo LED Strip 11" 630lm 865 1R LV1	55 (max) C	C	55 (max) C
929000668803	Fortimo LED Strip 280mm 630lm 830 1R HV1	55 (max) C	C	55 (max) C
929000668903	Fortimo LED Strip 280mm 630lm 835 1R HV1	55 (max) C	C	55 (max) C
929000669003	Fortimo LED Strip 280mm 630lm 865 1R HV1	55 (max) C	C	55 (max) C

Order code	Full product name	T-case maximum	T-Storage	T-case lifetime
929000819603	Fortimo LED Strip 1ft 650lm 830 LV2	80 (max) C	-	60 (max) C
929000819703	Fortimo LED Strip 1ft 650lm 840 LV2	80 (max) C	-	60 (max) C
929000830703	Fortimo LED Strip 1ft 650lm 865 LV2	80 (max) C	-	60 (max) C
929000816203	Fortimo LED Strip 102mm 375lm 830 LV1	80 (max) C	-	60 (max) C
929000816303	Fortimo LED Strip 102mm 375lm 840 LV1	80 (max) C	-	60 (max) C
929000692103	Xitanium 75W 0.7-2A 54V TD 230V	75 (max) C	-	-



© 2012 Koninklijke Philips Electronics N.V.  
All rights reserved.

Specifications are subject to change without notice. Trademarks are the property of Koninklijke Philips Electronics N.V. or their respective owners.

[www.philips.com/lighting](http://www.philips.com/lighting)

2012, September 7  
data subject to change