



Product Description

Xtitanium/Fortimo LED Drivers indoor dimmable

Xtitanium and Fortimo LED drivers are specially designed to operate LED solutions for general lighting applications such as downlighting, spot/accent lighting and linear lighting. Flexibility in luminaire design is assured thanks to an adjustable output current (AOC) and, in most independent versions, a new modern 3-in-1 housing design. The adjustable output current enables operation of various LED configurations from different LED manufacturers, as well as ensuring the solution can accommodate new LED generations – making it “future-proof”. There are special dimmable versions which enable the use of lighting controls for further energy savings.

Benefits

- Highly efficient LED drivers
- Adjustable output current (AOC)
- New “TD” version offers dynamic active cooling (via PWM protocol), optimizing energy efficiency

Features

- The output current can be set by placing a resistor on your LED PCB (Level 2 board)
- Versions with trailing edge (TE) and Touch & DALI dimming protocols
- Temperature derating via negative thermal coefficient (NTC)
- Most LED drivers integrate 12 V output for active cooling
- New flexible housing design offering independent, screw and click mounting
- Hot wiring (Xtitanium types)
- Improved ripple current

Application

- Offices (more 'prestigious' spaces such as reception areas, boardrooms, restaurants, etc.)
- Public buildings (airports, cinemas, theaters, exhibition halls)
- High-end shops
- Retail (supermarkets, bakery/butcher's shops, leather goods, etc.)

Related products

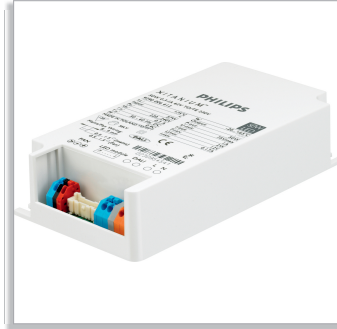
Titanium 25 & 50W linear housing



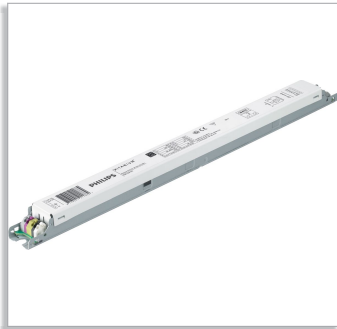
Titanium 17 W linear housing



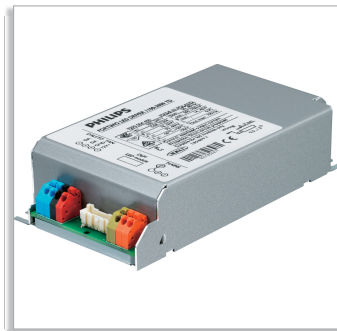
Titanium linear office driver



Titanium 50W 0.3-1A 62V TD/TE 230V

Titanium linear office driver 75W 0.7-2A
54V

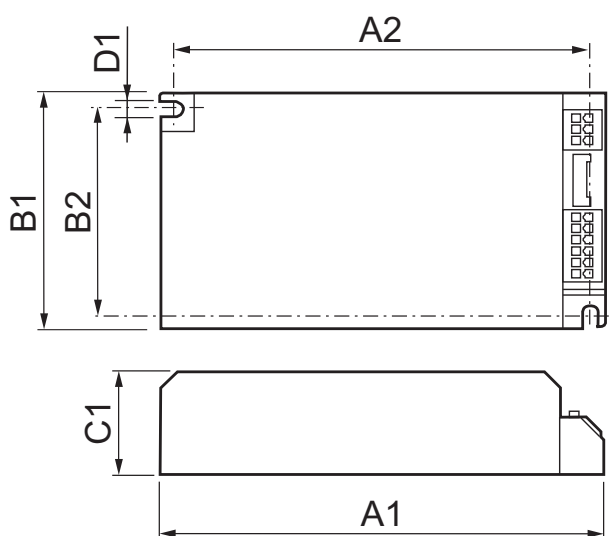
Titanium 45, 50 & 75 W square housing

Fortimo LED driver 1100-3000 TD/I &
1100-2000/I

Fortimo LED driver 1100-3000 TD

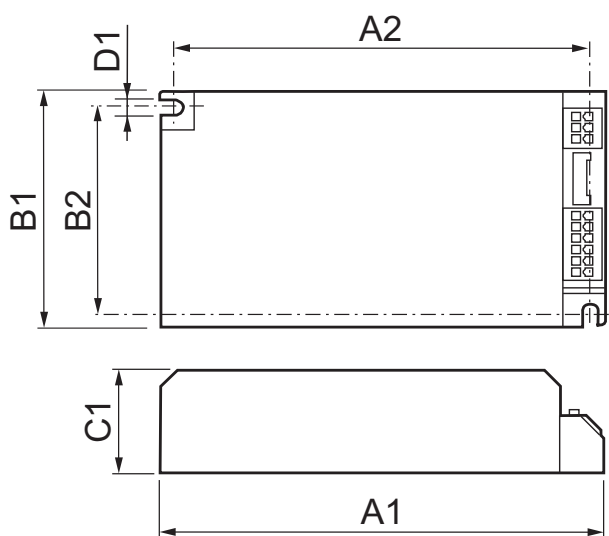
Dimensional drawing

Dimensional drawing



Fortimo LED driver 1100-3000 & 1100-3000 TD

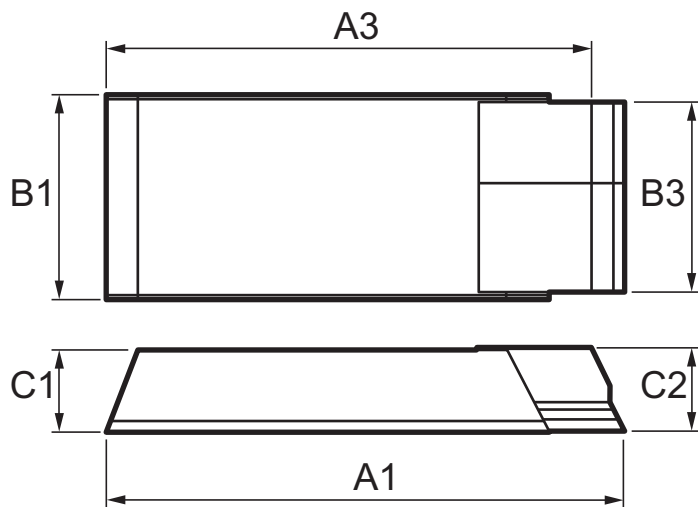
Product	A1 (Norm)	A2 (Norm)	A3 (Norm)	B1 (Norm)	B2 (Norm)	B3 (Norm)	C1 (Norm)	D1 (Norm)
Fortimo LED driver 1100-3000 TD	138	128.5	-	74	63.6	-	32	4.5



LED DLM driver 50W/Food

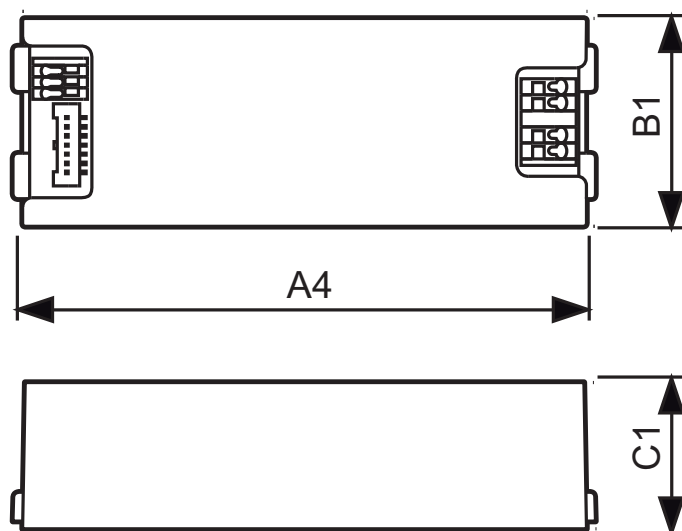
Product	A1 (Norm)	A2 (Norm)	A3 (Norm)	B1 (Norm)	B2 (Norm)	B3 (Norm)	C1 (Norm)	D1 (Norm)
Fortimo LED driver 1100-3000 TD	138	128.5	-	74	63.6	-	32	4.5
Fortimo LED driver 1100-3000 TD/I	224	-	206	83	-	77	34.5	-

Dimensional drawing



Fortimo LED driver 1100-2000/I & 1100-3000 TD/I

Product	A1 (Norm)	A2 (Norm)	A3 (Norm)	B1 (Norm)	B2 (Norm)	B3 (Norm)	C1 (Norm)	D1 (Norm)
Fortimo LED driver 1100-3000 TD/I	224	-	206	83	-	77	34.5	-



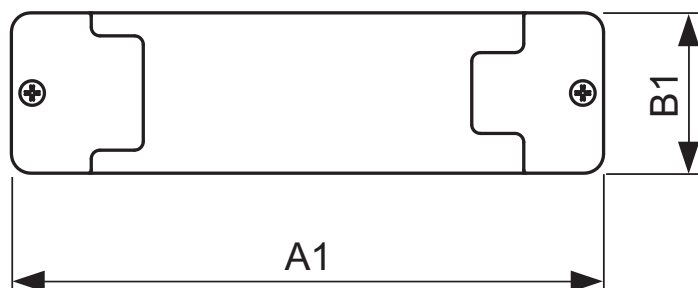
Xitanium 12, 17, 25 & 50 W

Product	A1 (Norm)	A2 (Norm)	A3 (Norm)	A4 (Norm)	B1 (Norm)	B2 (Norm)	C1 (Norm)	D1 (Norm)
Xitanium 25W 0.3-1A 36V TD/Is 230V	150	114	125	108	46	-	32	4.2
Xitanium 17W 0.3-0.7A 24V TE/I 230V	190	154	165	148	46	-	32	4.2
Xitanium 25W 0.3-0.7A 36V TE/I 230V	190	154	165	148	46	-	32	4.2
Xitanium 25W 0.3-1A 36V TD/I 230V	170	134	145	128	46	-	32	4.2
Xitanium 50W LH 0.3-1A 62V TD/TE/I 230V	190	154	-	-	46	-	32	4.2

Dimensional drawing

Titanium 12, 17, 25 & 50 W

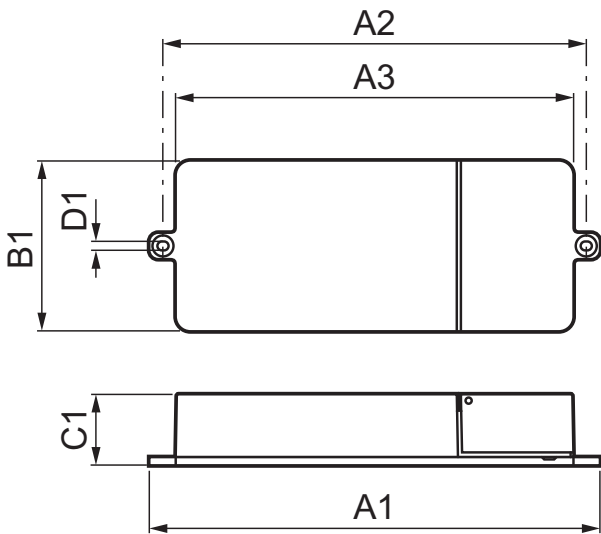
Product	A1 (Norm)	A2 (Norm)	A3 (Norm)	A4 (Norm)	B1 (Norm)	B2 (Norm)	C1 (Norm)	D1 (Norm)
Xitanium 25W 0.3-1A 36V TD/ls 230V	150	114	125	108	46	-	32	4.2
Xitanium 17W 0.3-0.7A 24V TE/I 230V	190	154	165	148	46	-	32	4.2
Xitanium 25W 0.3-0.7A 36V TE/I 230V	190	154	165	148	46	-	32	4.2
Xitanium 25W 0.3-1A 36V TD/I 230V	170	134	145	128	46	-	32	4.2
Xitanium 50W LH 0.3-1A 62V TD/TE/I 230V	190	154	-	-	46	-	32	4.2



Titanium 12, 17, 25 & 50 W

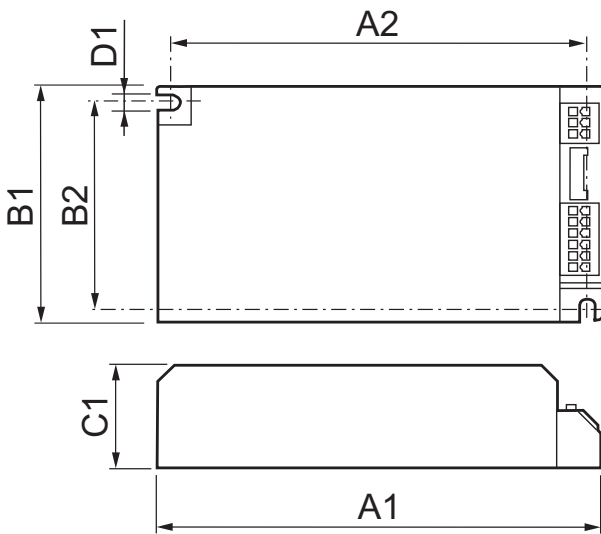
Product	A1 (Norm)	A2 (Norm)	A3 (Norm)	A4 (Norm)	B1 (Norm)	B2 (Norm)	C1 (Norm)	D1 (Norm)
Xitanium 25W 0.3-1A 36V TD/ls 230V	150	114	125	108	46	-	32	4.2
Xitanium 17W 0.3-0.7A 24V TE/I 230V	190	154	165	148	46	-	32	4.2
Xitanium 25W 0.3-0.7A 36V TE/I 230V	190	154	165	148	46	-	32	4.2
Xitanium 25W 0.3-1A 36V TD/I 230V	170	134	145	128	46	-	32	4.2
Xitanium 50W LH 0.3-1A 62V TD/TE/I 230V	190	154	-	-	46	-	32	4.2

Dimensional drawing



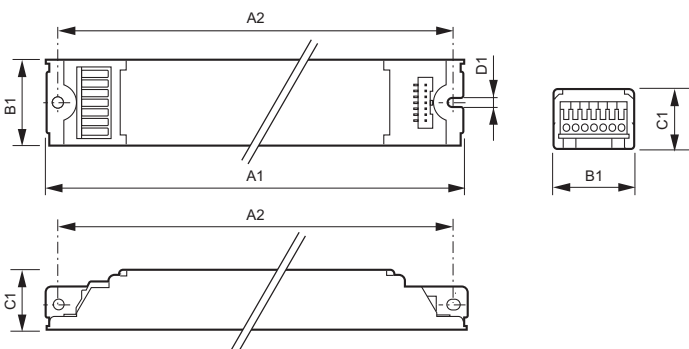
Xtitanium 45, 50 & 75 W SH

Product	A1 (Norm)	A2 (Norm)	A3 (Norm)	B1 (Norm)	C1 (Norm)	D1 (Norm)
Xtitanium 50W SH 0.3-1A 62V TD/TE/I 230V	220	206	193	83	35	4.1



Xtitanium 50 W

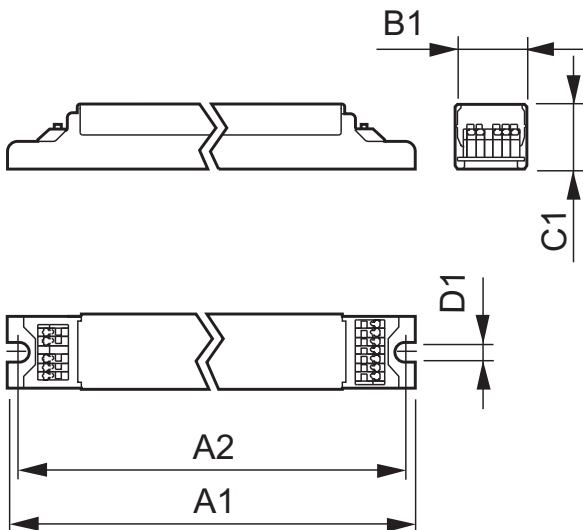
Product	A1 (Norm)	A2 (Norm)	A3 (Norm)	A4 (Norm)	B1 (Norm)	B2 (Norm)	C1 (Norm)	D1 (Norm)
Xtitanium 50W 0.3-1A 62V TD/TE 230V	141	128.5	-	-	75	63.7	32	4.5



Dimensional drawing

Titanium linear office driver

Product	A1 (Norm)	A2 (Norm)	A3 (Norm)	A4 (Norm)	B1 (Norm)	B2 (Norm)	C1 (Norm)	D1 (Norm)
Xitanium 75W/0.2-0.4A 200V TD 230V	360	350	-	-	30.0	-	22	4.1
Xitanium 75W/0.2-0.4A 200V 1-10V 230V	360	350	-	-	30	-	22	4.1
Xitanium 75W/200mA 200V TD 230V	360	350	-	-	30.0	-	22.0	4.1
Xitanium 75W/240mA 200V TD 230V	360	350	-	-	30.0	-	22.0	4.1
Xitanium 75W/280mA 200V TD 230V	360	350	-	-	30.0	-	22.0	4.1
Xitanium 75W/320mA 200V TD 230V	360	350	-	-	30.0	-	22.0	4.1
Xitanium 75W/360mA 200V TD 230V	360	350	-	-	30.0	-	22.0	4.1
Xitanium 75W/0.15-0.4A 200V TD 230V	360	350	-	-	30.0	-	22.0	4.1
Xitanium 36W/0.12-0.4A 100V TD 230V	360	350	-	-	30	-	22	4.1
Xitanium 36W/0.12-0.4A 10V 1-10V 230V	360	350	-	-	30	-	22	4.1
Xitanium 17W/0.12-0.4A 54V TD TD 230V	360	350	-	-	30	-	22	4.1
Xitanium 17W 0.12-0.4A 54V 1-10V 230V	360	350	-	-	30	-	22	4.1



Titanium 75W 0.7-2A 54V

Product	A1 (Norm)	A2 (Norm)	A3 (Norm)	A4 (Norm)	B1 (Norm)	B2 (Norm)	C1 (Norm)	D1 (Norm)
Xitanium 75W 0.7-2A 54V TD 230V	424	415	-	-	30	-	26	7.9
Xitanium 75W 0.7-2A 54V 1-10V 230V	424	415	-	-	30	-	26	7.9

General Characteristics

Order code	Full product name	IP Classification	Lifetime 90% surv.@Tcaselife
929000485803	Xitanium 25W 0.3-1A 36V TD/ls 230V	20	50000 hr
929000600303	Xitanium 25W 0.3-0.7A 36V TE/I 230V	20	50000 hr
929000600403	Xitanium 25W 0.3-1A 36V TD/I 230V	20	50000 hr
929000617103	Xitanium 50W LH 0.3-1A 62V TD/TE/I 230V	20	50000 hr

Order code	Full product name	IP Classification	Lifetime 90% surv.@Tcaselife
929000600103	Xitanium 17W 0.3-0.7A 24V TE/I 230V	20	50000 hr
929000617303	Xitanium 75W/0.2-0.4A 200V TD 230V	20	50000 hr
929000638203	Xitanium 75W/0.2-0.4A 200V 1-10V 230V	20	50000 hr
929000661803	Xitanium 75W/200mA 200V TD 230V	20	50000 hr

Order code	Full product name	IP Classification	Lifetime 90% surv.@Tcaselife
929000661903	Xitanium 75W/240mA 200V TD 230V	20	50000 hr
929000662003	Xitanium 75W/280mA 200V TD 230V	20	50000 hr
929000662103	Xitanium 75W/320mA 200V TD 230V	20	50000 hr
929000662203	Xitanium 75W/360mA 200V TD 230V	20	50000 hr
929000670403	Xitanium 75W/0.15-0.4A 200V TD 230V	20	50000 hr
929000673703	Xitanium 36W/0.12-0.4A 100V TD 230V	-	50000 hr
929000673803	Xitanium 36W/0.12-0.4A 10V 1-10V 230V	-	50000 hr
929000684703	Xitanium 17W/0.12-0.4A 54V TD 230V	-	50000 hr

Order code	Full product name	IP Classification	Lifetime 90% surv.@Tcaselife
929000684803	Xitanium 17W 0.12-0.4A 54V 1-10V 230V	-	50000 hr
929000661203	Xitanium 50W 0.3-1A 62V TD/TE 230V	20	50000 hr
929000692103	Xitanium 75W 0.7-2A 54V TD 230V	20	50000 hr
929000692203	Xitanium 75W 0.7-2A 54V 1-10V 230V	20	50000 hr
929000617203	Xitanium 50W SH 0.3-1A 62V TD/TE/I 230V	20	50000 hr
929000465203	Fortimo LED driver 1100-3000 TD/I	20	50000 hr
929000465003	Fortimo LED driver 1100-3000 TD	20	50000 hr

Operating Characteristics

Order code	Full product name	Output Power Range	Output Voltage Range	Output Current Range (mA)	Input Voltage Range (DC)	Type of Dimming	Input Voltage Range (AC)	Control input protection
929000485803	Xitanium 25W 0.3-1A 36V TD/ls 230V	-	18-36 V	300-1000	-	Touch&DALI	-	-
929000600303	Xitanium 25W 0.3-0.7A 36V TE/I 230V	8-36 W	25-36 V	300-700	186-250 V	Trailing edge	220-240 V	-
929000600403	Xitanium 25W 0.3-1A 36V TD/I 230V	-	18-36 V	300-1000	-	Touch&DALI	-	-
929000617103	Xitanium 50W LH 0.3-1A 62V TD/TE/I 230V	15-50 W	31-62 V	300-1000	186-250 V	Touch&DALI and trailing edge	220-240 V	-
929000600103	Xitanium 17W 0.3-0.7A 24V TE/I 230V	5-22 W	15-24 V	300-700	186-250 V	Trailing edge	220-240 V	-
929000617303	Xitanium 75W/0.2-0.4A 200V TD 230V	21-70 W	100-200 V	200-400	186-250 V	Touch&DALI	220-240 V	-
929000638203	Xitanium 75W/0.2-0.4A 200V 1-10V 230V	21-75 W	100-200 V	-	186-250 V	1-10V	220-240 V	-
929000661803	Xitanium 75W/200mA 200V TD 230V	21-70 W	100-200 V	200	186-250 V	Touch&DALI	220-240 V	-
929000661903	Xitanium 75W/240mA 200V TD 230V	21-70 W	100-200 V	240	186-250 V	Touch&DALI	220-240 V	-
929000662003	Xitanium 75W/280mA 200V TD 230V	21-70 W	100-200 V	280	186-250 V	Touch&DALI	220-240 V	-
929000662103	Xitanium 75W/320mA 200V TD 230V	21-70 W	100-200 V	320	186-250 V	Touch&DALI	220-240 V	-
929000662203	Xitanium 75W/360mA 200V TD 230V	21-70 W	100-200 V	360	186-250 V	Touch&DALI	220-240 V	-
929000670403	Xitanium 75W/0.15-0.4A 200V TD 230V	21-70 W	100-200 V	150-400	186-250 V	Touch&DALI	220-240 V	-
929000673703	Xitanium 36W/0.12-0.4A 100V TD 230V	10-36 W	50-100 V	120-400	186-250 V	Touch&DALI	220-240 V	-
929000673803	Xitanium 36W/0.12-0.4A 10V 1-10V 230V	10-36 W	50-100 V	120-400	186-250 V	1-10V	220-240 V	-
929000684703	Xitanium 17W/0.12-0.4A 54V TD 230V	5-17 W	27-54 V	120-400	186-250 V	Touch&DALI	220-240 V	-
929000684803	Xitanium 17W 0.12-0.4A 54V 1-10V 230V	5-17 W	27-54 V	120-400	186-250 V	1-10V	220-240 V	-
929000661203	Xitanium 50W 0.3-1A 62V TD/TE 230V	15-50 W	31-62 V	300-1000	186-250 V	Touch&DALI and trailing edge	220-240 V	-
929000692103	Xitanium 75W 0.7-2A 54V TD 230V	21-75 W	27-54 V	700-2000	186-250 V	Touch&DALI	220-240 V	Yes (Basic insulation)
929000692203	Xitanium 75W 0.7-2A 54V 1-10V 230V	21-75 W	27-54 V	700-2000	186-250 V	1-10V	220-240 V	-
929000617203	Xitanium 50W SH 0.3-1A 62V TD/TE/I 230V	15-50 W	31-62 V	300-1000	186-250 V	Touch&DALI and trailing edge	220-240 V	-
929000465203	Fortimo LED driver 1100-3000 TD/I	-	20-80 V	200-700	-	Touch&DALI	220-240 V	-

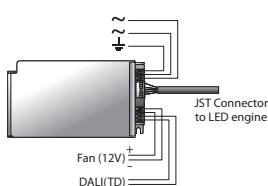
Order code	Full product name	Output Power Range	Output Voltage Range	Output Current Range (mA)	Input Voltage Range (DC)	Type of Dimming	Input Voltage Range (AC)	Control input protection
929000465003	Fortimo LED driver 1100-3000 TD	-	20-80 V	200-700	-	Touch&DALI	220-240 V	-

Wiring Characteristics

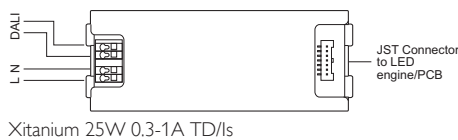
Order code	Full product name	Connection on driver to L2	Hot wiring	Connector type input terminal	Connector type output terminal
929000485803	Xtitanium 25W 0.3-1A 36V TD/ls 230V	JST connector	Yes	-	-
929000600303	Xtitanium 25W 0.3-0.7A 36V TE/I 230V	JST connector	Yes	Wago 250	Wago 250
929000600403	Xtitanium 25W 0.3-1A 36V TD/I 230V	JST connector	Yes	-	-
929000617103	Xtitanium 50W LH 0.3-1A 62V TD/TE/I 230V	JST connector	Yes	Wago 250	Wago 250
929000600103	Xtitanium 17W 0.3-0.7A 24V TE/I 230V	JST connector	Yes	Wago 250	-
929000617303	Xtitanium 75W/ 0.2-0.4A 200V TD 230V	JST connector	Yes	Wago 251	-
929000638203	Xtitanium 75W/ 0.2-0.4A 200V 1-10V 230V	WAGO 250	Yes	Wago 251	-
929000661803	Xtitanium 75W/ 200mA 200V TD 230V	JST connector	Yes	Wago 251	-
929000661903	Xtitanium 75W/ 240mA 200V TD 230V	JST connector	Yes	Wago 251	-
929000662003	Xtitanium 75W/ 280mA 200V TD 230V	JST connector	Yes	Wago 251	-
929000662103	Xtitanium 75W/ 320mA 200V TD 230V	JST connector	Yes	Wago 251	-

Order code	Full product name	Connection on driver to L2	Hot wiring	Connector type input terminal	Connector type output terminal
929000662203	Xtitanium 75W/ 360mA 200V TD 230V	JST connector	Yes	Wago 251	-
929000670403	Xtitanium 75W/ 0.15-0.4A 200V TD 230V	JST connector	Yes	Wago 251	-
929000673703	Xtitanium 36W/ 0.12-0.4A 100V TD 230V	-	-	Wago 251	JST BM07B-PASS-TFT Connector
929000673803	Xtitanium 36W/ 0.12-0.4A 10V 1-10V 230V	-	-	Wago 251	JST BM07B-PASS-TFT Connector
929000684703	Xtitanium 17W/ 0.12-0.4A 54V TD 230V	-	-	Wago 251	JST BM07B-PASS-TFT Connector
929000684803	Xtitanium 17W 0.12-0.4A 54V 1-10V 230V	-	-	Wago 251	JST BM07B-PASS-TFT Connector
929000661203	Xtitanium 50W 0.3-1A 62V TD/TE 230V	JST connector	Yes	Wago 250	Wago 250
929000692103	Xtitanium 75W 0.7-2A 54V TD 230V	-	Yes	Wago 250	Wago 250
929000692203	Xtitanium 75W 0.7-2A 54V 1-10V 230V	-	Yes	Wago 250	Wago 250
929000617203	Xtitanium 50W SH 0.3-1A 62V TD/TE/I 230V	JST connector	Yes	Wago 804	Wago 250

Wiring data



Fortimo LED driver 1100-3000 TD & TD/I

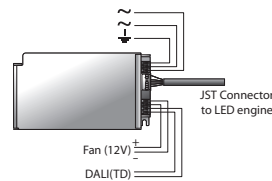
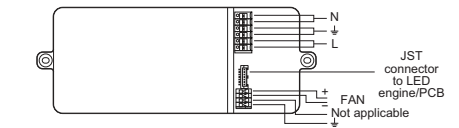
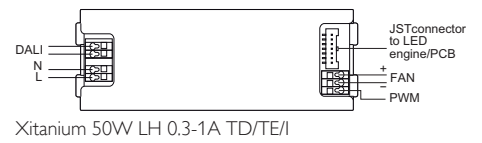
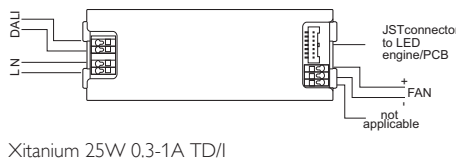
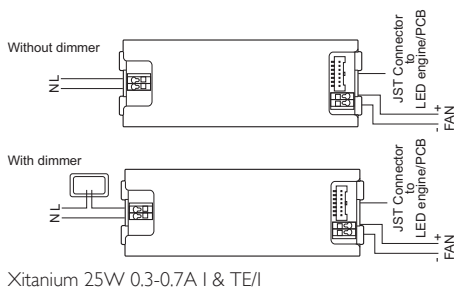


Xtitanium 25W 0.3-1A TD/ls



Xtitanium 17W 0.3-0.7A I & TE/I

Wiring data



Temperature Characteristics

Order code	Full product name	T-case Life-time	T-case maximum	T-ambient	T-Storage	Operating Temperature
929000485803	Xtanium 25W 0.3-1A 36V TD/ls 230V	-	90 C	-20 (min), 60 (max) C	-	-
929000600303	Xtanium 25W 0.3-0.7A 36V TE/I 230V	80 C	90 (max) C	-20 (min), 65 (max) C	-25 (min), 85 (max) C	-
929000600403	Xtanium 25W 0.3-1A 36V TD/I 230V	-	90 C	-20 (min), 60 (max) C	-	-
929000617103	Xtanium 50W LH 0.3-1A 62V TD/TE/I 230V	-	-	-20 (min), 50 (max) C	-25 (min), 85 (max) C	-
929000600103	Xtanium 17W 0.3-0.7A 24V TE/I 230V	80 C	90 (max) C	-20 (min), 65 (max) C	-25 (min), 85 (max) C	-
929000617303	Xtanium 75W/ 0.2-0.4A 200V TD 230V	-	-	-20 (min), 50 (max) C	-25 (min), 85 (max) C	-

Order code	Full product name	T-case Life-time	T-case maximum	T-ambient	T-Storage	Operating Temperature
929000638203	Xtanium 75W/ 0.2-0.4A 200V 1-10V 230V	75 C	75 (max) C	-20 (min), 50 (max) C	-25 (min), 85 (max) C	-20 (min), 50 (max) C
929000661803	Xtanium 75W/ 200mA 200V TD 230V	-	-	-20 (min), 50 (max) C	-25 (min), 85 (max) C	-
929000661903	Xtanium 75W/ 240mA 200V TD 230V	-	-	-20 (min), 50 (max) C	-25 (min), 85 (max) C	-
929000662003	Xtanium 75W/ 280mA 200V TD 230V	-	-	-20 (min), 50 (max) C	-25 (min), 85 (max) C	-
929000662103	Xtanium 75W/ 320mA 200V TD 230V	-	-	-20 (min), 50 (max) C	-25 (min), 85 (max) C	-
929000662203	Xtanium 75W/ 360mA 200V TD 230V	-	-	-20 (min), 50 (max) C	-25 (min), 85 (max) C	-

Order code	Full product name	T-case Life-time	T-case maximum	T-ambient	T-Storage	Operating Temperature
929000670403	Xitanium 75W/ 0.15-0.4A 200V TD 230V	-	-	-20 (min), 50 (max) C	-25 (min), 85 (max) C	-
929000673703	Xitanium 36W/ 0.12-0.4A 100V TD 230V	-	-	-20 (min), 50 (max) C	-25 (min), 85 (max) C	-
929000673803	Xitanium 36W/ 0.12-0.4A 10V 1-10V 230V	-	-	-20 (min), 50 (max) C	-25 (min), 85 (max) C	-
929000684703	Xitanium 17W/ 0.12-0.4A 54V TD 230V	-	75 (max) C	-20 (min), 50 (max) C	-	-
929000684803	Xitanium 17W 0.12-0.4A 54V 1-10V 230V	-	75 (max) C	-20 (min), 50 (max) C	-	-
929000661203	Xitanium 50W 0.3-1A 62V TD/TE 230V	65 C	75 (max) C	-20 (min), 50 (max) C	-25 (min), 85 (max) C	-

Order code	Full product name	T-case Life-time	T-case maximum	T-ambient	T-Storage	Operating Temperature
929000692103	Xitanium 75W 0.7-2A 54V TD 230V	65 C	75 (max) C	-20 (min), 50 (max) C	-25 (min), 85 (max) C	-20 (min), 50 (max) C
929000692203	Xitanium 75W 0.7-2A 54V 1-10V 230V	65 C	75 (max) C	-20 (min), 50 (max) C	-25 (min), 85 (max) C	-20 (min), 50 (max) C
929000617203	Xitanium 50W SH 0.3-1A 62V TD/TE/I 230V	65 C	75 (max) C	-20 (min), 50 (max) C	-25 (min), 85 (max) C	-
929000465203	Fortimo LED driver 1100-3000 TD/I	65 C	65 (max) C	-20 (min), 50 (max) C	-40 (min), 85 (max) C	-
929000465003	Fortimo LED driver 1100-3000 TD	65 C	65 (max) C	-20 (min), 50 (max) C	-40 (min), 85 (max) C	-



© 2012 Koninklijke Philips Electronics N.V.
All rights reserved.

Specifications are subject to change without notice. Trademarks are the property of Koninklijke Philips Electronics N.V. or their respective owners.

www.philips.com/lighting

2012, September 12
data subject to change