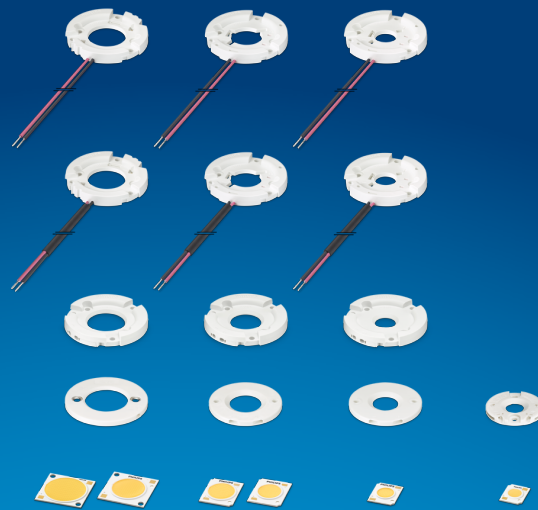


PHILIPS

Fortimo

LED

SLM holders Gen1



Datasheet

Experience bright and vivid colors

Fortimo SLM H G1

Fortimo LED SLM Gen5 continues to focus on the combination of Quality of Light and performance. By offering the CoB separate from the holder, even more flexibility in possible system combinations and specifications is achieved. This results in an extensive portfolio of lumen ranges, CCTs and spectras. Please also check the online Easy Design-in Tool for your perfect system combination (www.easydesignintool.com)

Key features and benefits

- Best quality of light available for all applications
- Extensive range of CCT's
- Small LES for narrow beam angles and small reflector designs
- Flexibility to select a different lumen output between 800 and 10000 lm
- State of the art Chip-on-Board (CoB) technology, enabling highest system efficacy
- System proposition (CoB + Holder + driver)
- Flexibility to optimize luminaire performance (lm/W or high lm output)
- Xitanium window drivers with SimpleSet for maximum flexibility
- Mini drivers for smallest possible luminaire designs
- Five years system warranty with over 50,000 hours lifetime
- Three dedicated product lines:
 - SLM Gen6 Premium White
 - SLM Gen6 CrispWhite
 - SLM Gen6 Food

January 2017

Ordering data

Commercial product name	EOC	12NC	Box quantity
Fortimo SLM H PI 1215 35 G1	6947939 132720 00	9290 015 38106	20
Fortimo SLM H 1619 G1	8718696 522059 00	9290 009 93580	20
Fortimo SLM H DL 1619 G1	8718696 522080 00	9290 009 93680	20
Fortimo SLM H PI 1619 G1	8718696 522110 00	9290 009 93780	20
Fortimo SLM H ZP 1619 G1	6947939 127245 00	9290 014 51980	20
Fortimo SLM H 2024 G1	8718696 506745 00	9290 009 80703	20
Fortimo SLM H DL 2024 G1	8718696 506776 00	9290 009 80803	20
Fortimo SLM H PI 2024 G1	8718696 507001 00	9290 009 80903	20
Fortimo SLM H ZP 2024 G1	6947939 127269 00	9290 014 52080	20
Fortimo SLM H 2828 G1	8718696 506806 00	9290 009 81003	20
Fortimo SLM H DL 2828 G1	8718696 506837 00	9290 009 81103	20
Fortimo SLM H PI 2828 G1	8718696 507025 00	9290 009 81203	20
Fortimo SLM H ZP 2828 G1	6947939 127283 00	9290 014 52180	20

This product is available in the following options. It is possible to combine these with any of the CoBs in the portfolio.

Holder compatibility

Holder compatibility	CoB type					
	1202s	1203	1205	1208	1211	1216
	L6	L9	L13	L15	L19	L23
Fortimo SLM PI 1215 35 G1	X					
FORTIMO SLM H 1619 G1		x				
FORTIMO SLM H DL 1619 G1		x				
FORTIMO SLM H PI 1619 G1		x				
FORTIMO SLM H ZP 1619 G1		x				
FORTIMO SLM H 2024 G1			x	x		
FORTIMO SLM H DL 2024 G1			x	x		
FORTIMO SLM H PI 2024 G1			x	x		
FORTIMO SLM H ZP 2024 G1			x	x		
FORTIMO SLM H 2828 G1					x	
FORTIMO SLM H DL 2828 G1					x	
FORTIMO SLM H PI 2828 G1					x	x
FORTIMO SLM H ZP 2828 G1					x	

Electrical characteristics

Fortimo SLM H PI 1215 35 G1

Parameter	Min	Typ	Max	Unit
Number of modules in series			1	
SLM modules should not be connected in parallel				

- Fortimo SLM H 1619 G1
- Fortimo SLM H DL 1619 G1
- Fortimo SLM H ZP 1619 G1
- Fortimo SLM H 2024 G1
- Fortimo SLM H DL 2024 G1
- Fortimo SLM H ZP 2024 G1
- Fortimo SLM H 2828 G1
- Fortimo SLM H DL 2828 G1
- Fortimo SLM H ZP 2828 G1

Parameter	Min	Typ	Max	Unit
Number of modules in series			5	
SLM modules should not be connected in parallel				

- Fortimo SLM H PI 1619 G1
- Fortimo SLM H PI 2024 G1
- Fortimo SLM H PI 2828 G1

Parameter	Min	Typ	Max	Unit
Number of modules in series			2	
SLM modules should not be connected in parallel				

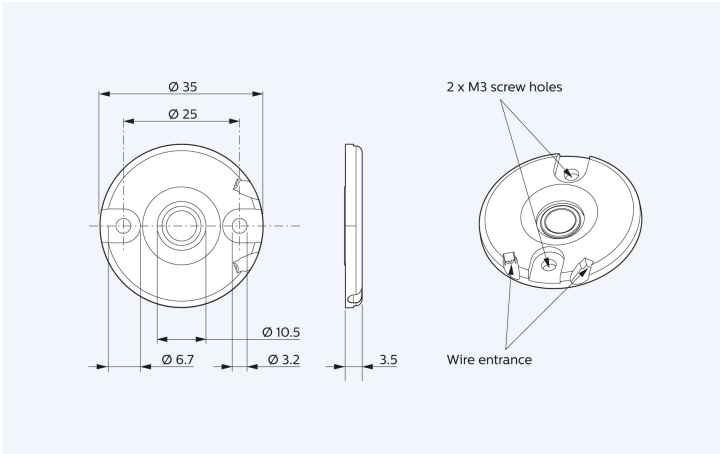
Wiring

Specification item	Value	Unit	Condition
Input wire cross-section	0.5...0.75	mm ²	solid, fused, stranded
	18...20	AWG	solid, fused, stranded
Input wire strip length	11...12	mm	

Mechanical characteristics

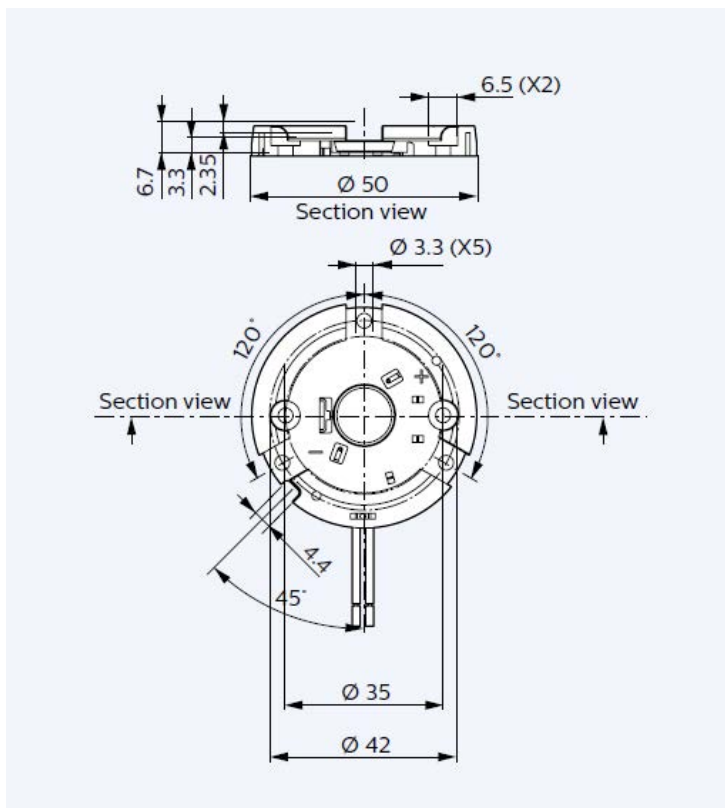
Fortimo SLM H PI 1215 35 G1

Parameter	Min	Typ	Max	Unit
Width		35		mm
Height		3.5		mm



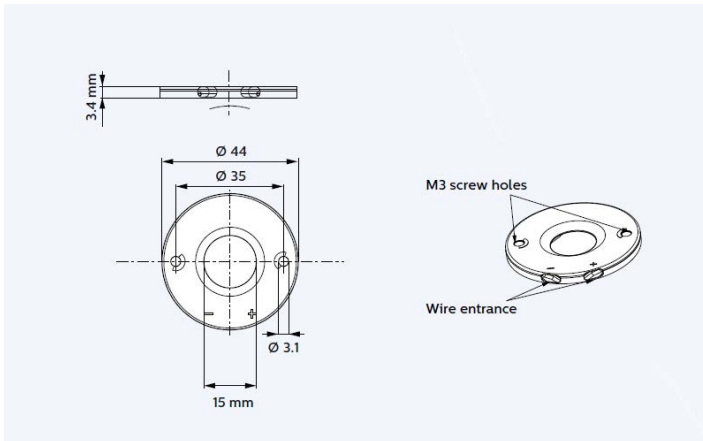
Fortimo SLM H 1619 G1 Fortimo SLM H DL 1619 G1

Parameter	Min	Typ	Max	Unit
Width		50		mm
Height		6.7		mm



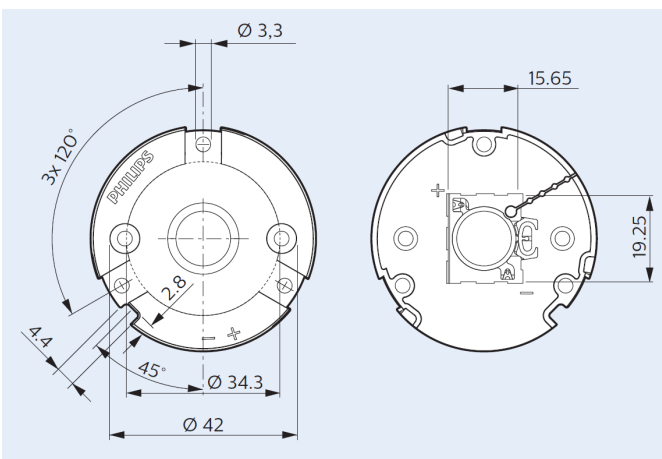
Fortimo SLM H PI 1619 G1

Parameter	Min	Typ	Max	Unit
Width		44		mm
Height		3.1		mm



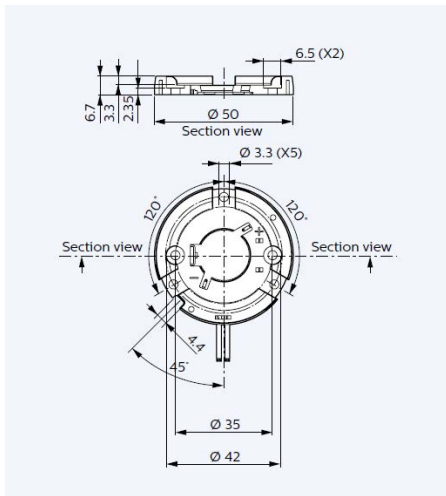
Fortimo SLM H ZP 1619 G1

Parameter	Min	Typ	Max	Unit
Width		50		mm
Height		6.7		mm



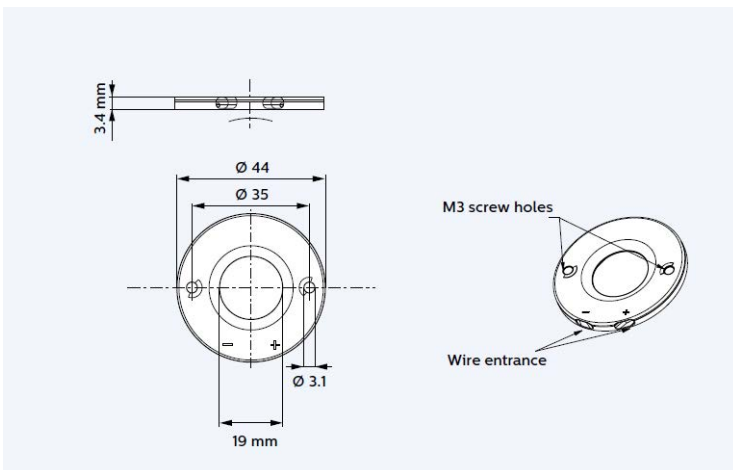
Fortimo SLM H 2024 G1
 Fortimo SLM H DL 2024 G1

Parameter	Min	Typ	Max	Unit
Width		50		mm
Height		6.7		mm



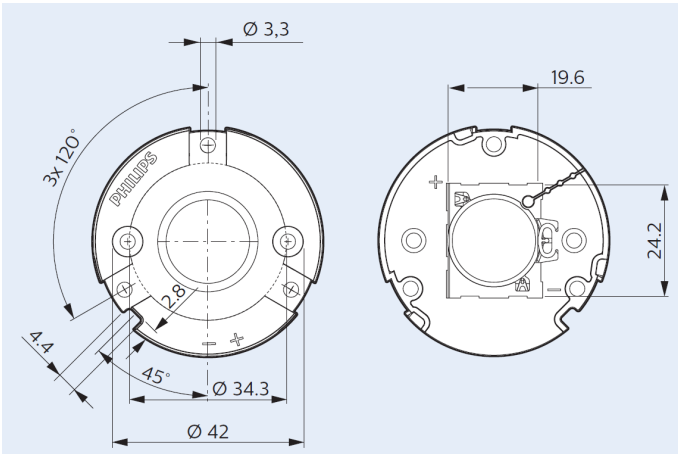
Fortimo SLM H PI 2024 G1

Parameter	Min	Typ	Max	Unit
Width		44		mm
Height		3.4		mm



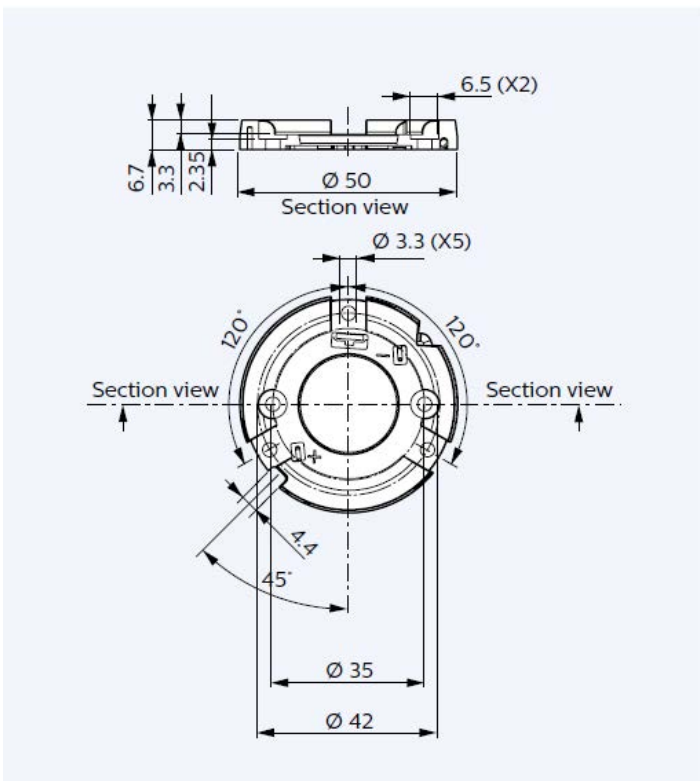
Fortimo SLM H ZP 2024 G1

Parameter	Min	Typ	Max	Unit
Width		50		mm
Height		6.7		mm



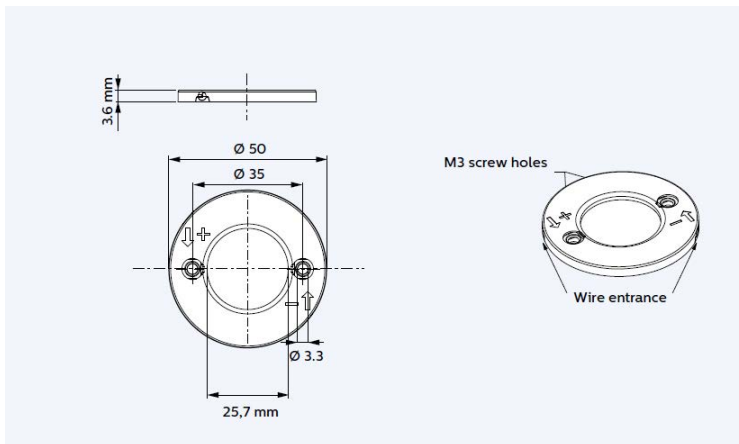
Fortimo SLM H 2828 G1
Fortimo SLM H DL 2828 G1

Parameter	Min	Typ	Max	Unit
Width		50		mm
Height		6.7		mm



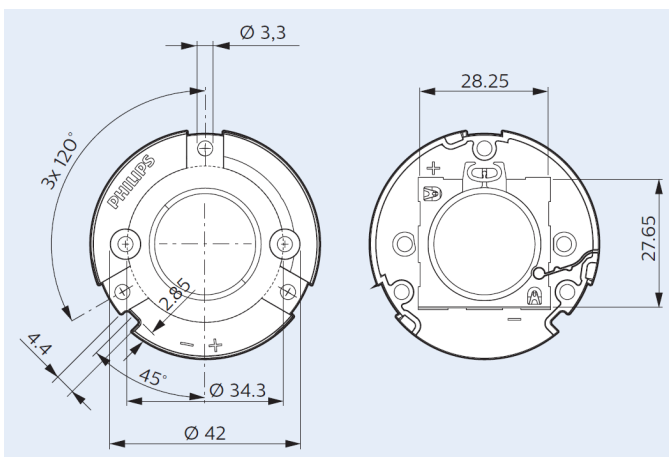
Fortimo SLM H PI 2828 G1

Parameter	Min	Typ	Max	Unit
Width		50		mm
Height		3.6		mm



Fortimo SLM H ZP 2828 G1

Parameter	Min	Typ	Max	Unit
Width		50		mm
Height		6.7		mm



Application information

Certificates and Standards

Approbation as part of module approbation

